



Plus5E-S & Plus5L-S Series

Line Interactive UPS

600VA - 2000VA (HV: 220/230/240Vac)

--- With USB Charging Port

Plus5E-S & Plus5L-S Series



Plus5E-S Series
- LED Model -



Plus5L-S Series
- LCD Model -

Product Introduction

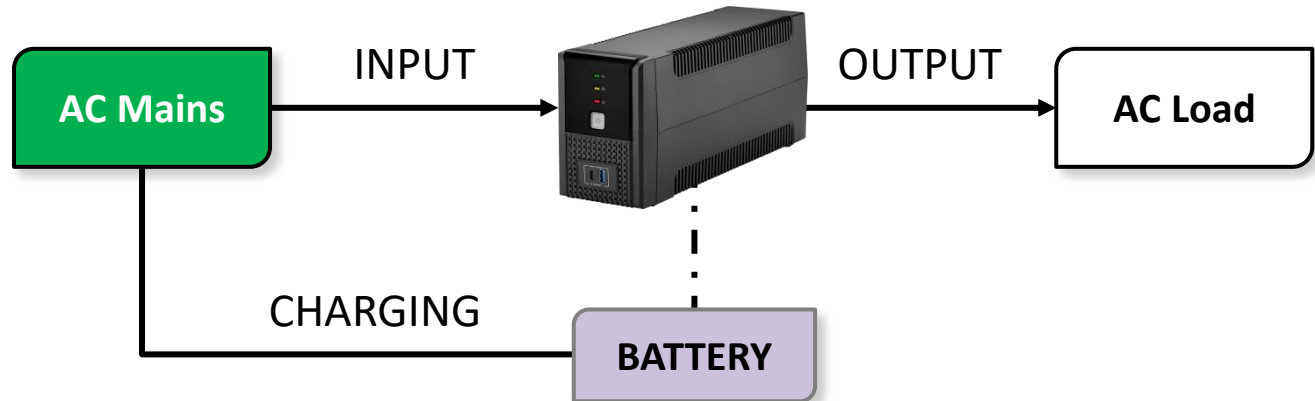
Plus5E-S & Plus5L-S Series is line interactive UPS provides guaranteed battery backup power during outage and unsafe fluctuation, along with full protection from damaging surges and spikes. It also equipped with smart charging station, SC-5VDC, USB charging port for smart devices power charging.

The UPS integrated with microprocessor controller, voltage stabilizer, LED or LCD indicators and battery easy replacement in a stand-alone unit, to provide the perfect protection to safeguard your critical devices and valued data.

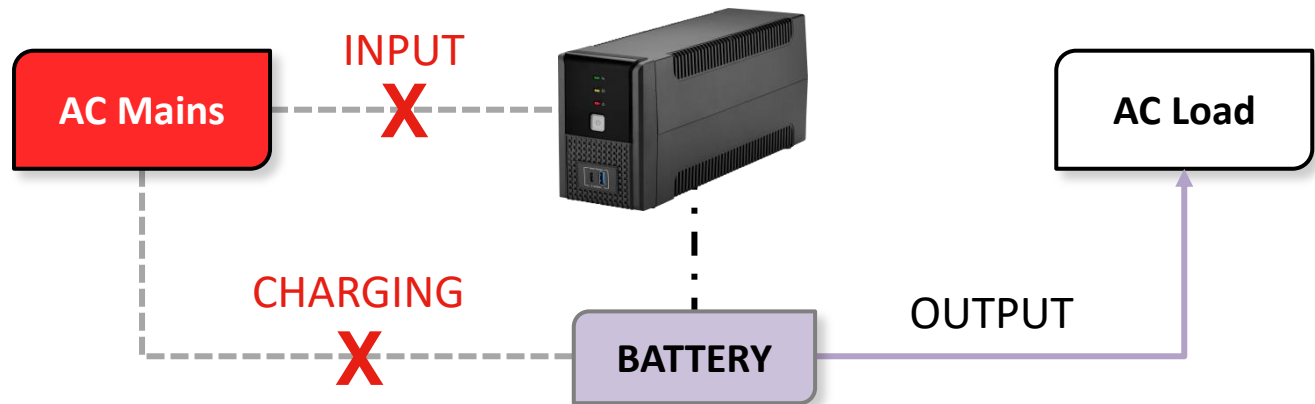


Basic Functional Module and Power Topology

AC Normal

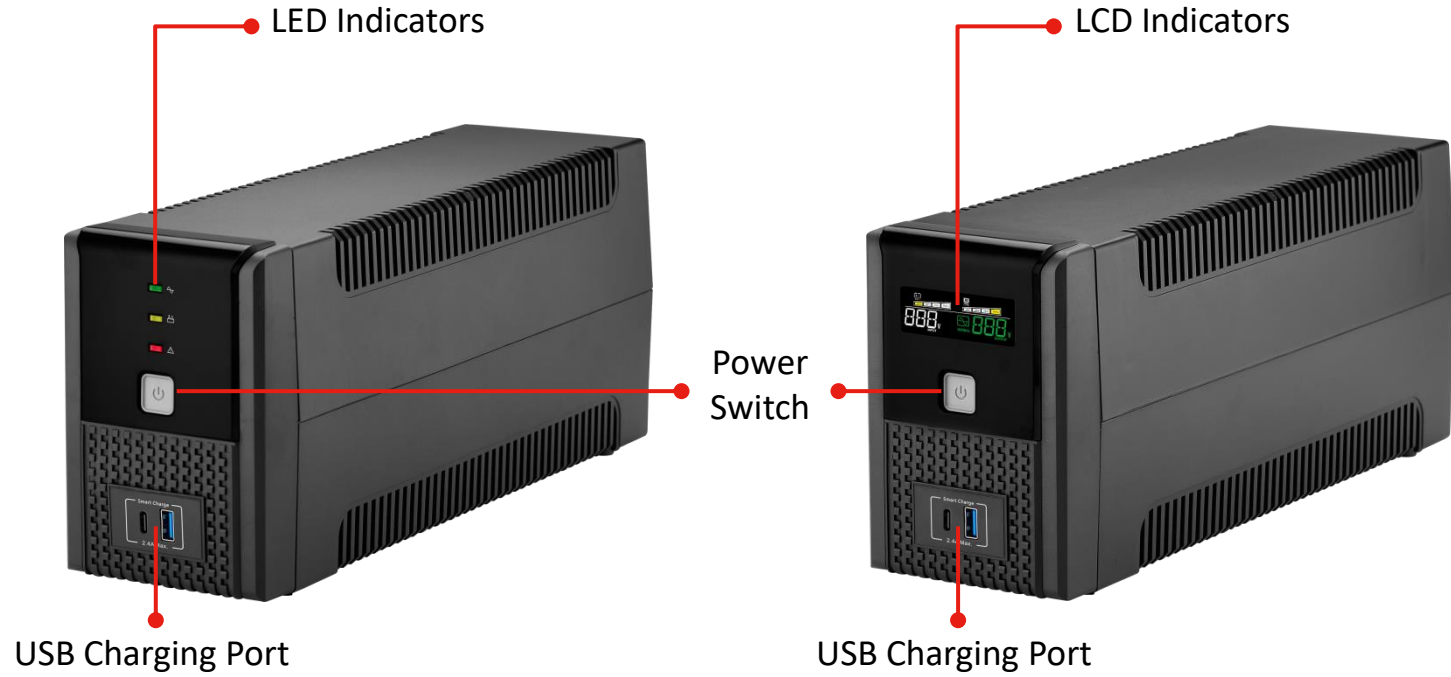


Battery Mode



Structural Diagram

Front Panel (600-800VA)

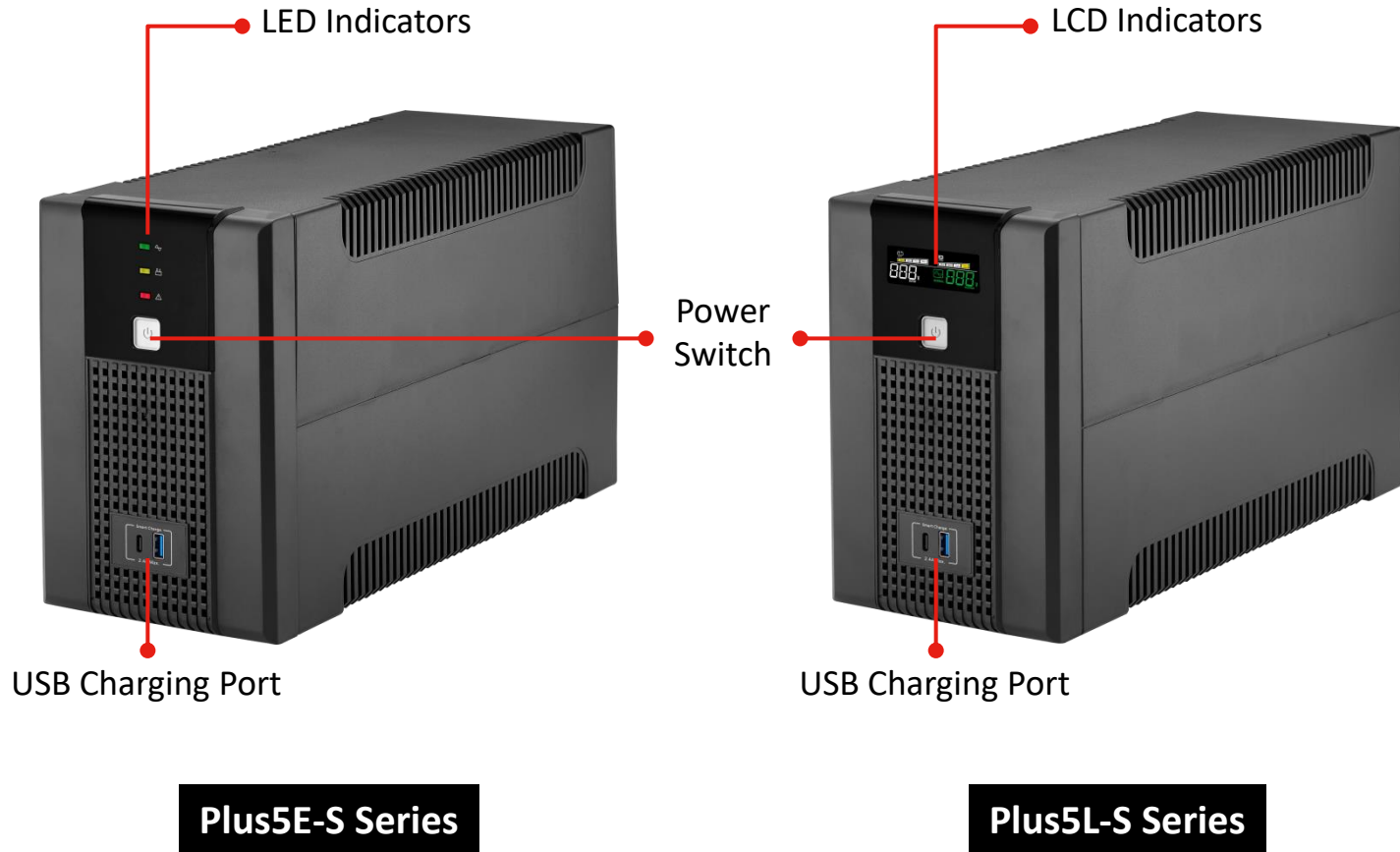


Plus5E-S Series

Plus5L-S Series

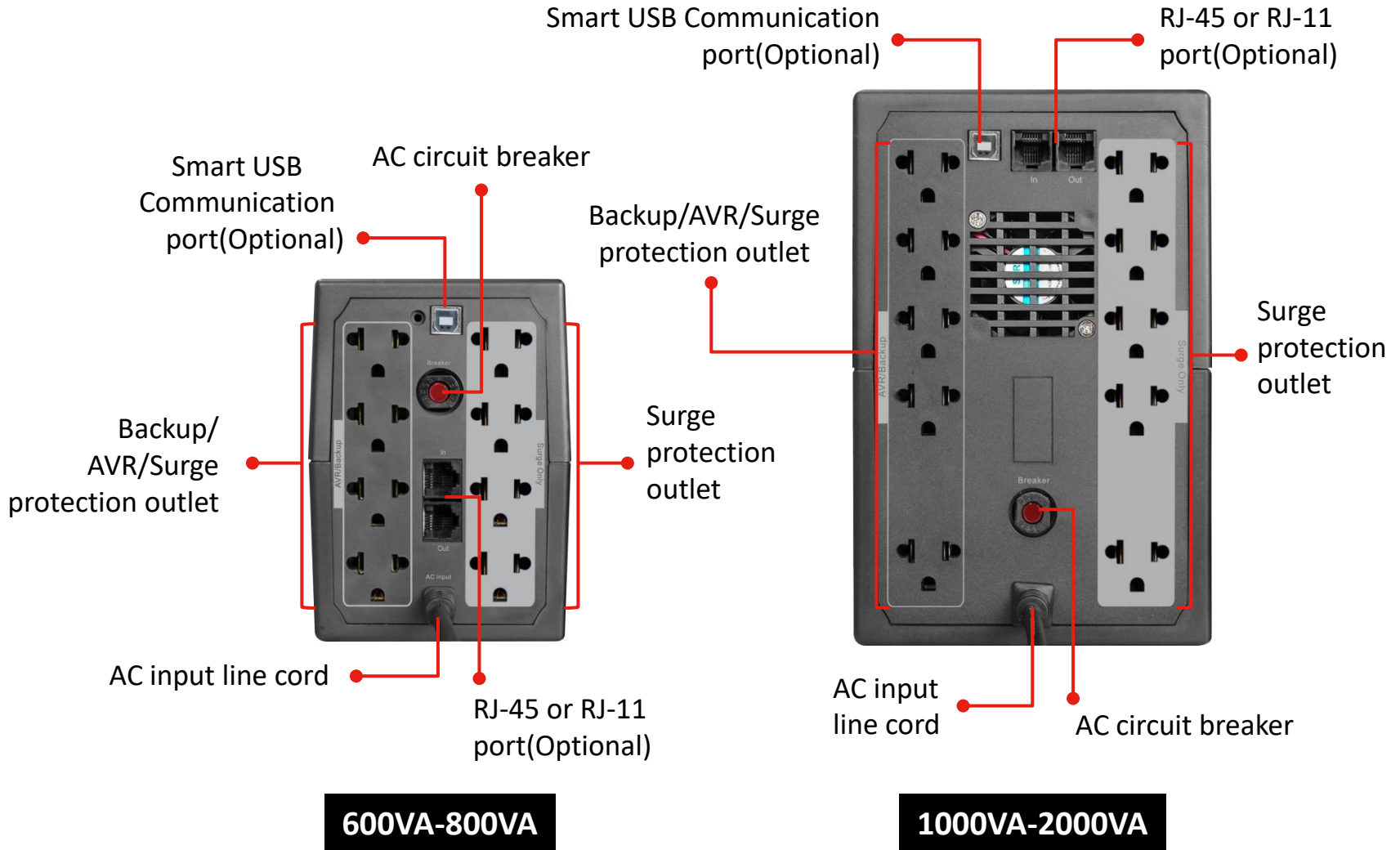
Structural Diagram

Front Panel (1000-2000VA)



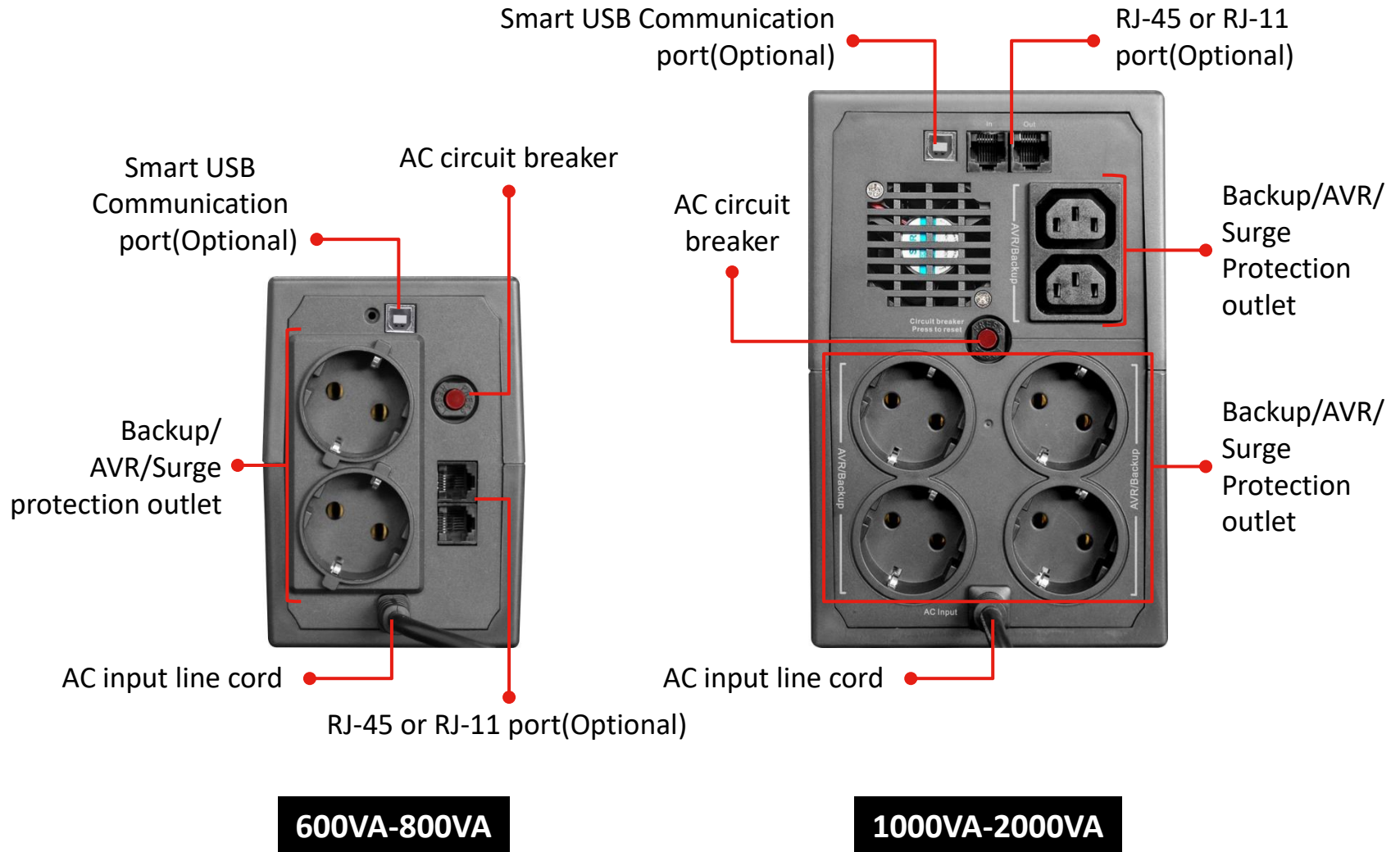
Structural Diagram

Rear Panel (EURO-US Socket)



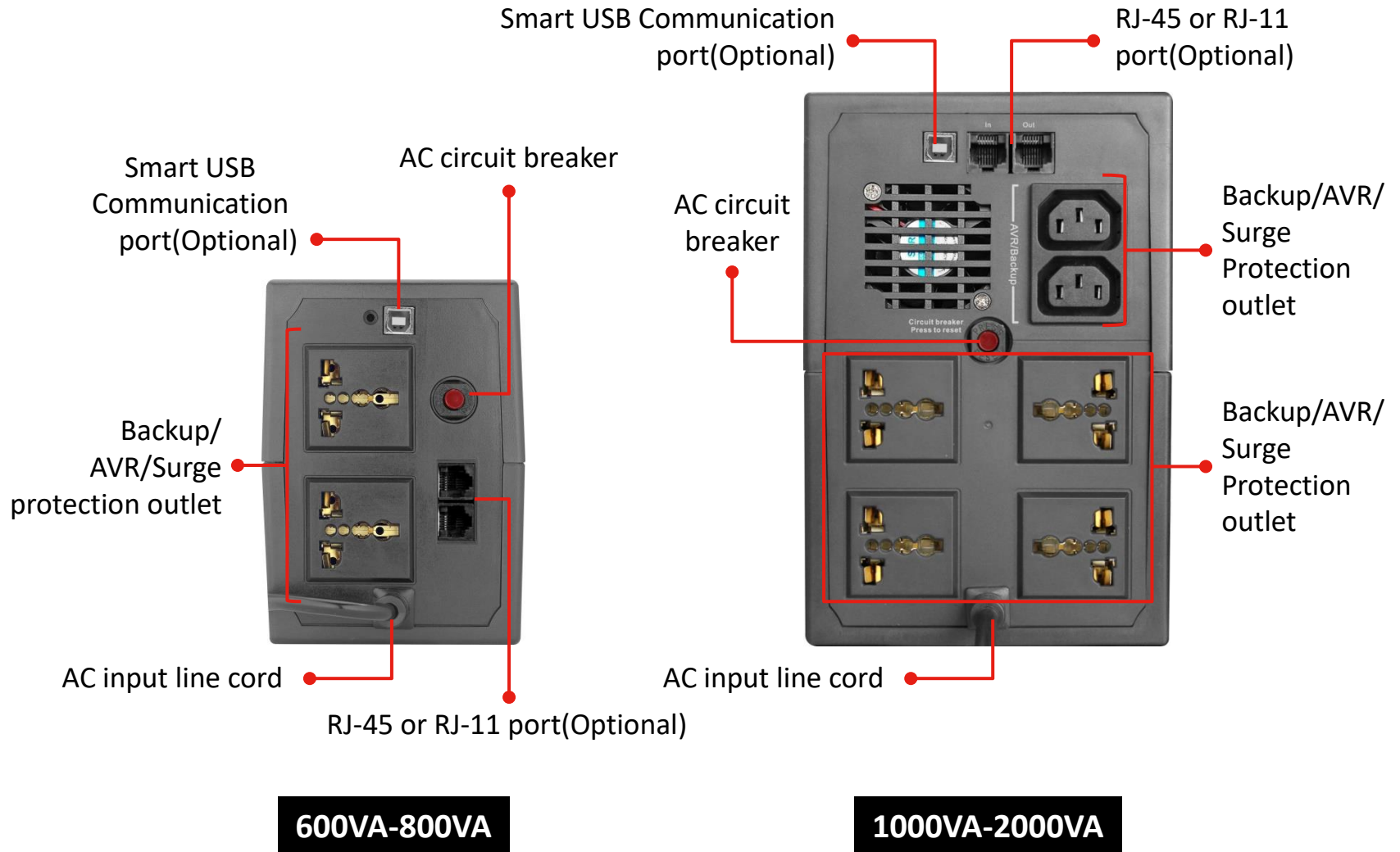
Structural Diagram

Rear Panel (German(Schuko / Type F))



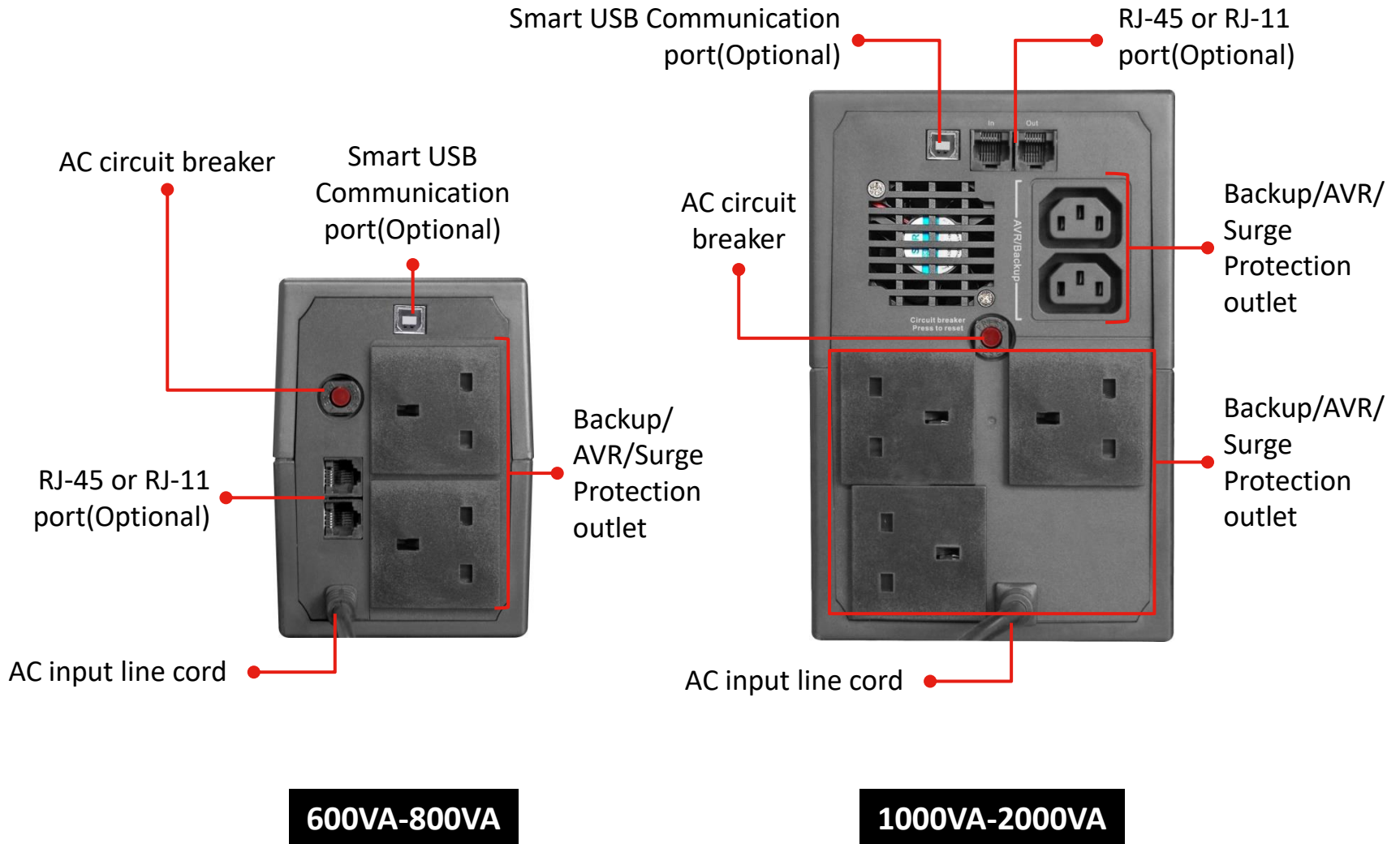
Structural Diagram

Rear Panel (Universal Socket)



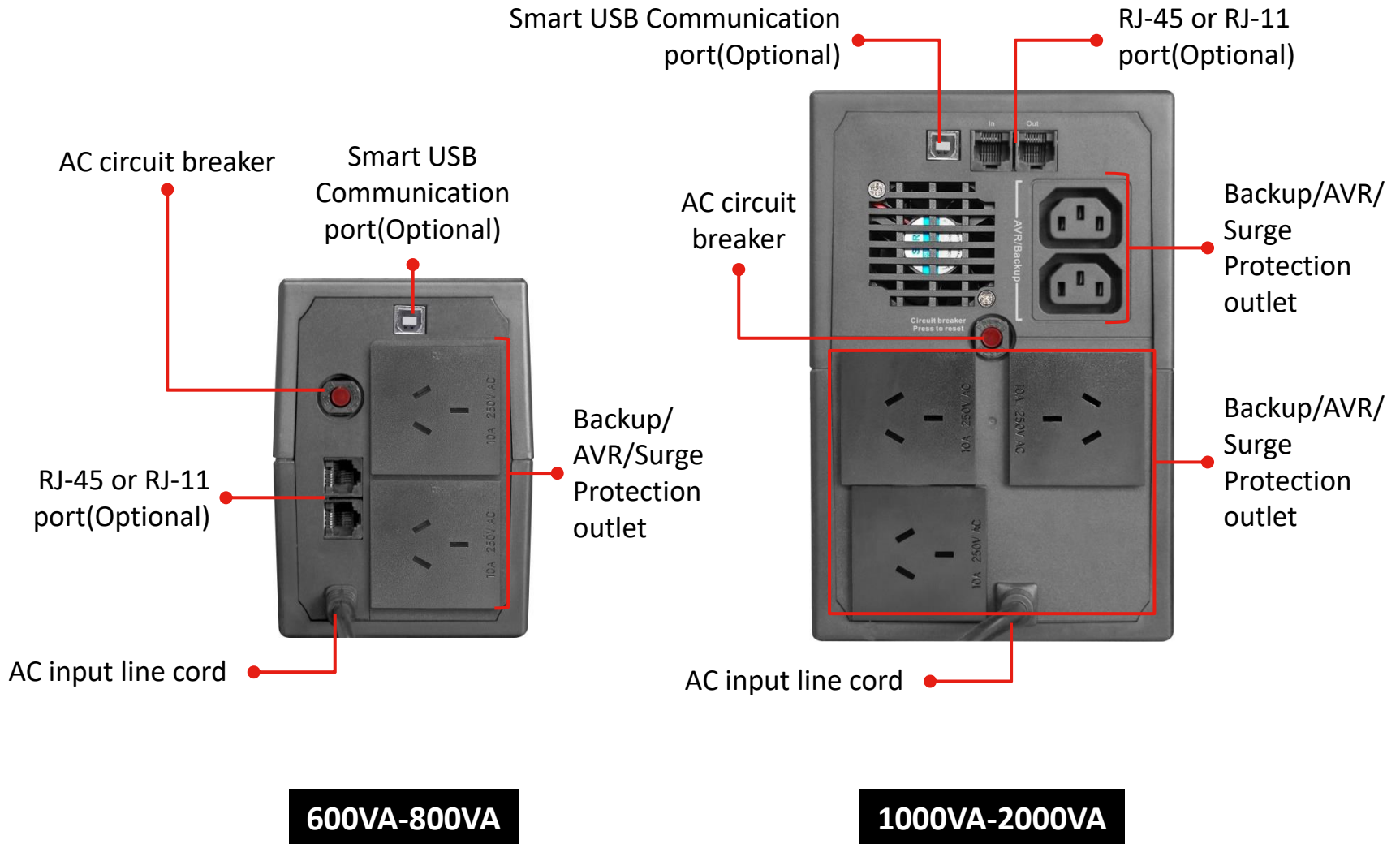
Structural Diagram

Rear Panel (UK Socket (Type G))



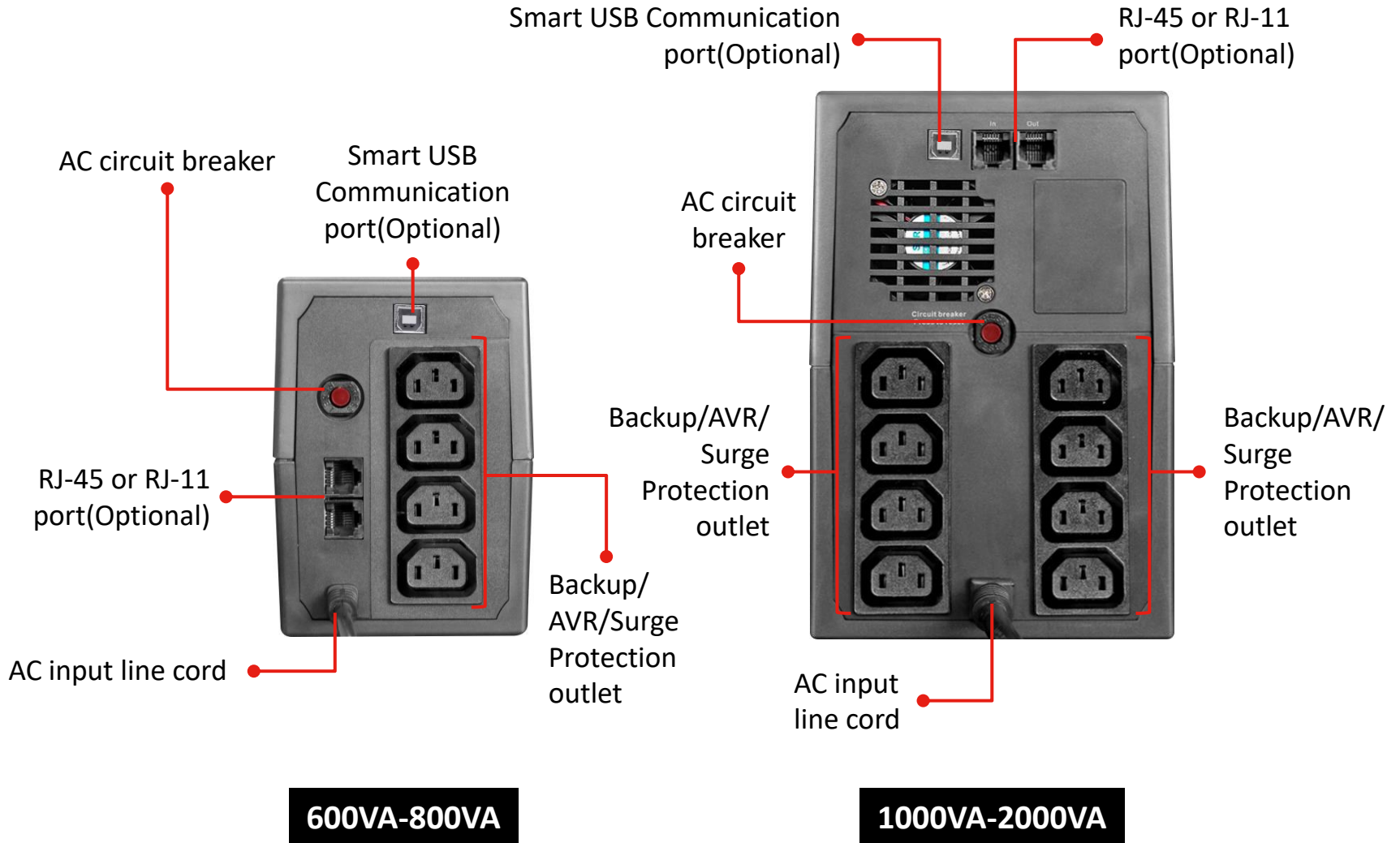
Structural Diagram

Rear Panel (Australian Socket (Type I))



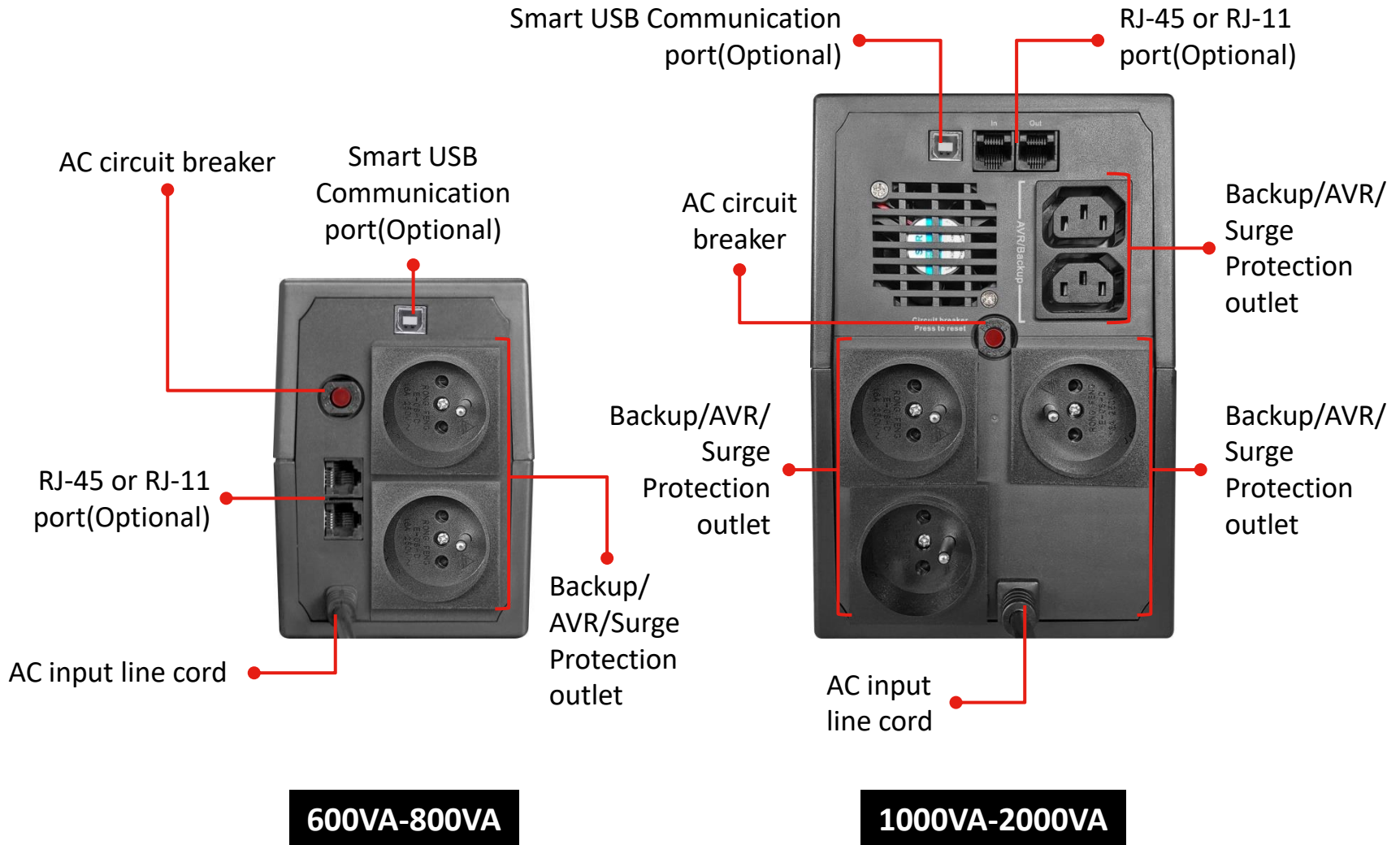
Structural Diagram

Rear Panel (IEC-320 C13 Socket)



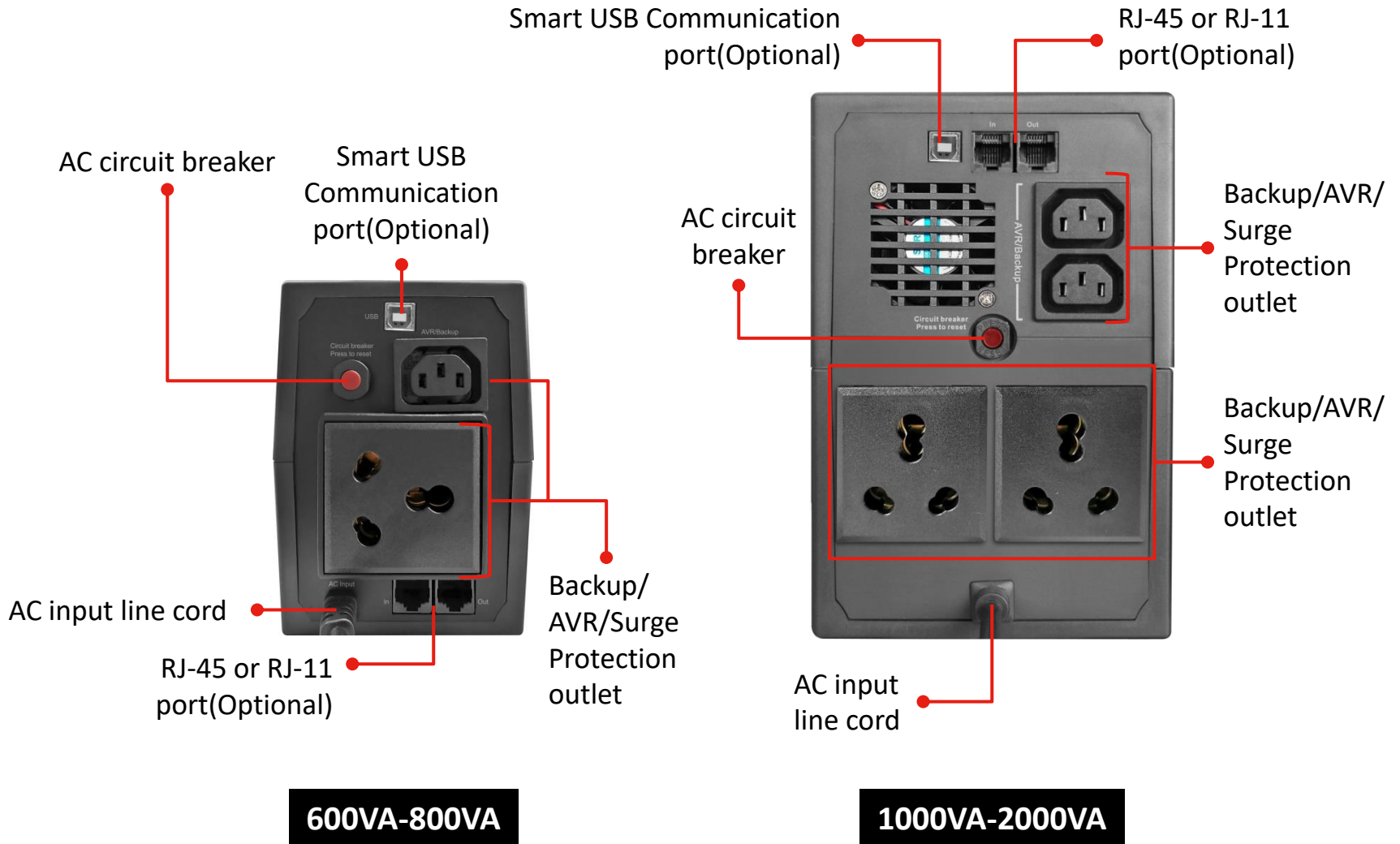
Structural Diagram

Rear Panel (French(Type E))

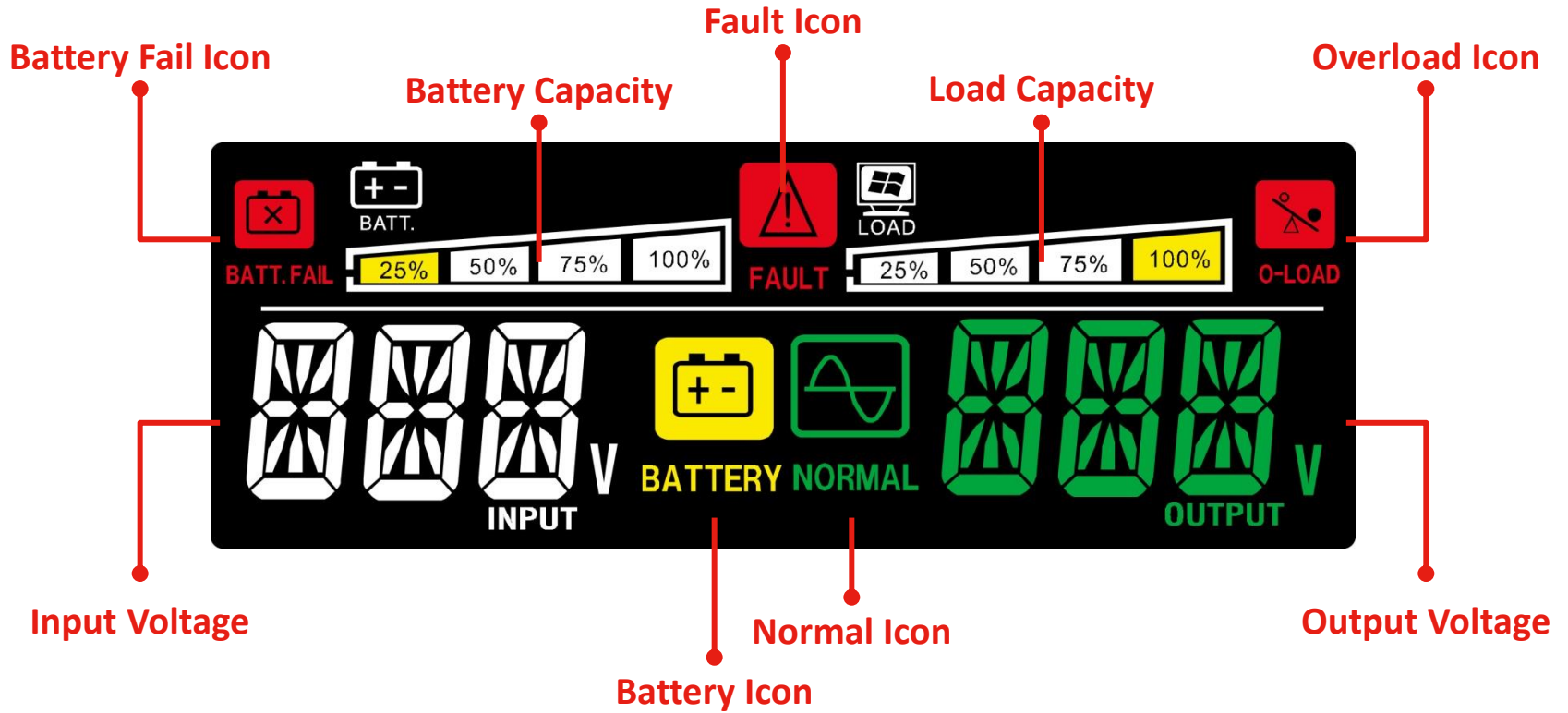


Structural Diagram

Rear Panel (South Africa(Type M))



LCD with Color Display



Features

- UPS will shut down upon battery low ; UPS will restart automatically upon AC recovery (Auto-restart)
- Controlled by a technologically advanced microprocessor guaranteeing high reliability
- USB port and monitor software is designed to manage UPS status via PC (Optional)
- Built-in DC start function enables UPS to be started without AC power supplied
- Equipped with 2-steps boost & 1-step buck AVR to stabilize output voltage
- Constant current, constant voltage battery charger (CCCV Battery Charger)
- UPS will charge itself even though power switch is off (Off mode charging)
- Smart USB charging 5VDC 2.4A max. for smart devices power charging
- Over / under voltage protection (UPS will go to battery mode)
- Lightning / surge protection 175 joules
- Easy replacement battery design

Specifications

CAPACITY	600VA/360W	800VA/480W	1000VA/600W	1200VA/720W	1500VA/900W	2000VA/1200W
INPUT						
Voltage	220/230/240Vac					
Voltage Range	-30%, +25%					
Frequency	50Hz or 60Hz (Auto-sensing)					
OUTPUT						
Voltage Regulation	+/-10%					
Frequency	AC mode: 47-53Hz for 50Hz or 57-63Hz for 60Hz ; Battery mode: 50Hz or 60Hz +/-1Hz					
Waveform	Simulated Sinewave					
Transfer Time	<6ms (Typical)					
Smart USB Charging	2 ports, 5VDC 2.4A max.					
BATTERY						
Type	Maintenance free sealed lead-acid battery					
Voltage	12VDC		24VDC			
Capacity & Number	12V/7AH*1pc	12V/9AH*1pc	12V/7AH*2pcs	12V/7AH*2pcs	12V/9AH*2pcs	12V/9AH*2pcs

*Product specifications are subject to change without further notice.

Specifications

CAPACITY	600VA/360W	800VA/480W	1000VA/600W	1200VA/720W	1500VA/900W	2000VA/1200W
Recharge Time	5 hours to 90% after complete discharge					
Safety Protection	Over Charge & Over Discharge Protection					
Advanced Battery Management	Yes					
INDICATORS						
LED Model	AC normal(Green), Backup(Yellow), UPS Cut-off(Red)					
LCD Model	Programmed LCD					
Alarm	Buzzer ON for battery mode, low battery, overload, fault					
MANAGEMENT						
USB Communication Port	Plus5E-S / Plus5L-S series: N/A					
	Plus5E-US / Plus5L-US series: Yes, and download software is included					
ENVIRONMENT						
Operating Temperature	0°C-40°C (32°F-104°F)					
Humidity	0-95% (Non-condensing)					
Acoustic Noise	<40dB at 1M					
PHYSICAL(D*W*H)						
Dimension	315.5*100*141mm		343*135*208mm			

*Product specifications are subject to change without further notice.

Types of Sockets

CAPACITY	600VA/360W	800VA/480W	1000VA/600W	1200VA/720W	1500VA/900W	2000VA/1200W
OUTPUT Outlet						
EURO-US	4pcs Backup/AVR/Surge protected + 4pcs Surge protected only		5pcs Backup/AVR/Surge protected + 5pcs Surge protected only			
German	Schuko *2pcs Backup/AVR/Surge protected		Schuko *4pcs + IEC-320 C13 *2pcs Backup/AVR/Surge protected			
Universal	Universal *2pcs Backup/AVR/Surge protected		Universal *4pcs + IEC-320 C13 *2pcs Backup/AVR/Surge protected			
UK	UK *2pcs Backup/AVR/Surge protected		UK *3pcs + IEC-320 C13 *2pcs Backup/AVR/Surge protected			
Australian	Australian *2pcs Backup/AVR/Surge protected		Australian *4pcs + IEC-320 C13 *2pcs Backup/AVR/Surge protected			
Outlet: IEC-320 C13	IEC-320 C13 *4pcs Backup/AVR/Surge protected		IEC-320 C13 *8pcs Backup/AVR/Surge protected			
Outlet: French (Type E)	French(Type E) *2pcs Backup/AVR/Surge protected		French(Type E) *3pcs + IEC-320 C13 *2pcs Backup/AVR/Surge protected			
Outlet: South Africa (Type M)	South Africa(Type M) *1pc + IEC-320 C13 *1pc Backup/AVR/Surge protected		South Africa(Type M) *2pcs + IEC-320 C13 *2pcs Backup/AVR/Surge protected			
Outlet: Italian (Type L)	Italian(Type L) *4pcs Backup/AVR/Surge protected		Italian(Type L) *8pcs Backup/AVR/Surge protected			

*Product specifications are subject to change without further notice.

Model Table-LED Model

MODEL NAME	POWER RATING	INDICATORS	USB CHARGING	USB COMMUNICATION PORT
Plus5E-S600	600VA/360W	LED	YES	N/A
Plus5E-US600				YES
Plus5E-S800	800VA/480W			N/A
Plus5E-US800				YES
Plus5E-S1000	1000VA/600W			N/A
Plus5E-US1000				YES
Plus5E-S1200	1200VA/720W			N/A
Plus5E-US1200				YES
Plus5E-S1500	1500VA/900W			N/A
Plus5E-US1500				YES
Plus5E-S2000	2000VA/1200W			N/A
Plus5E-US2000				YES

*Product specifications are subject to change without further notice.

Model Table-LCD Model

MODEL NAME	POWER RATING	INDICATORS	USB CHARGING	USB COMMUNICATION PORT
Plus5L-S600	600VA/360W	LCD	YES	N/A
Plus5L-US600				YES
Plus5L-S800	800VA/480W			N/A
Plus5L-US800				YES
Plus5L-S1000	1000VA/600W			N/A
Plus5L-US1000				YES
Plus5L-S1200	1200VA/720W			N/A
Plus5L-US1200				YES
Plus5L-S1500	1500VA/900W			N/A
Plus5L-US1500				YES
Plus5L-S2000	2000VA/1200W			N/A
Plus5L-US2000				YES

*Product specifications are subject to change without further notice.



APLUS POWER CORP.

Aplus, Reliable Power Brand Deserve Your Trust